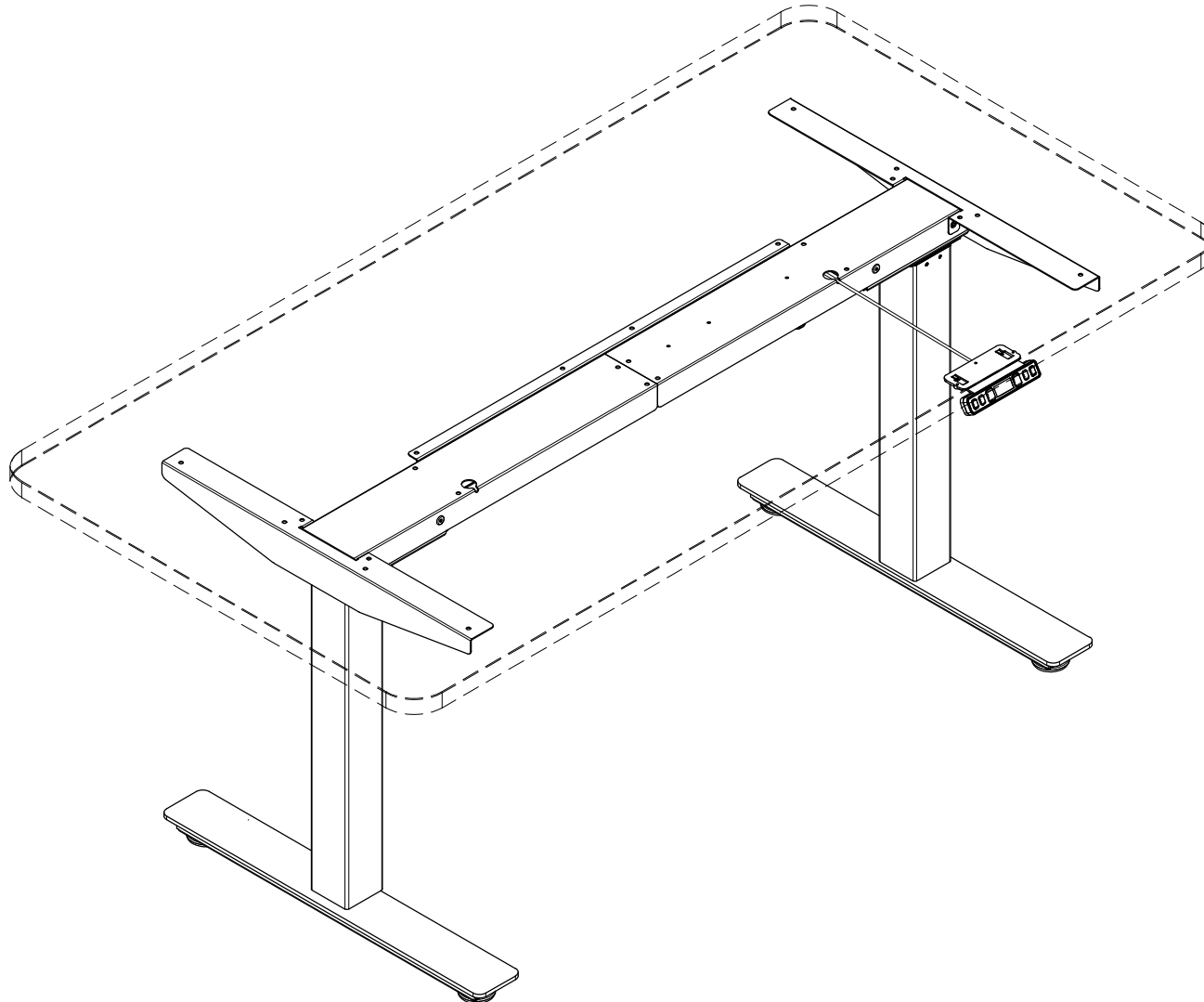



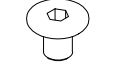




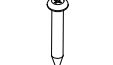


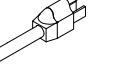




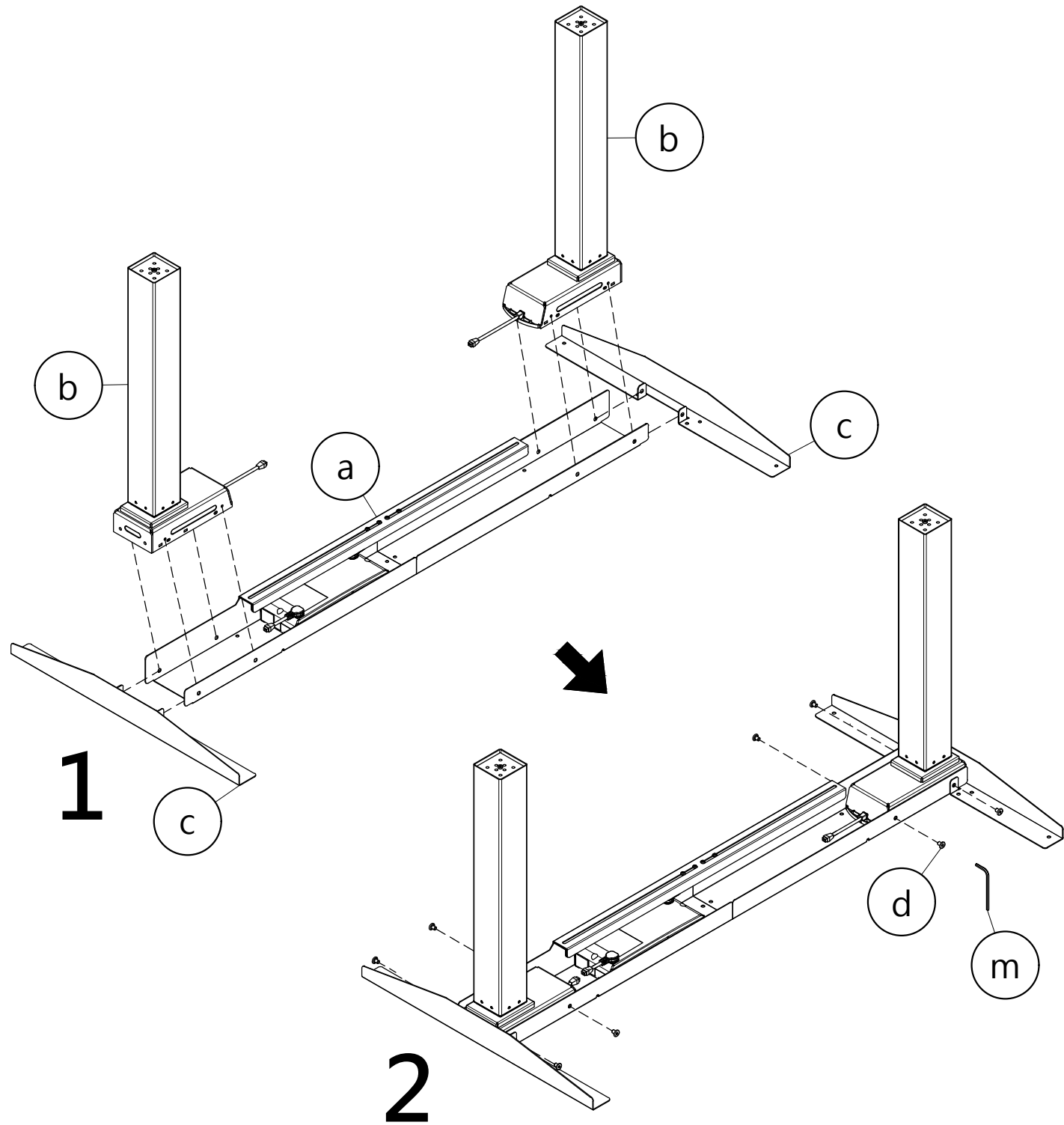
# ASSEMBLY INSTRUCTIONS

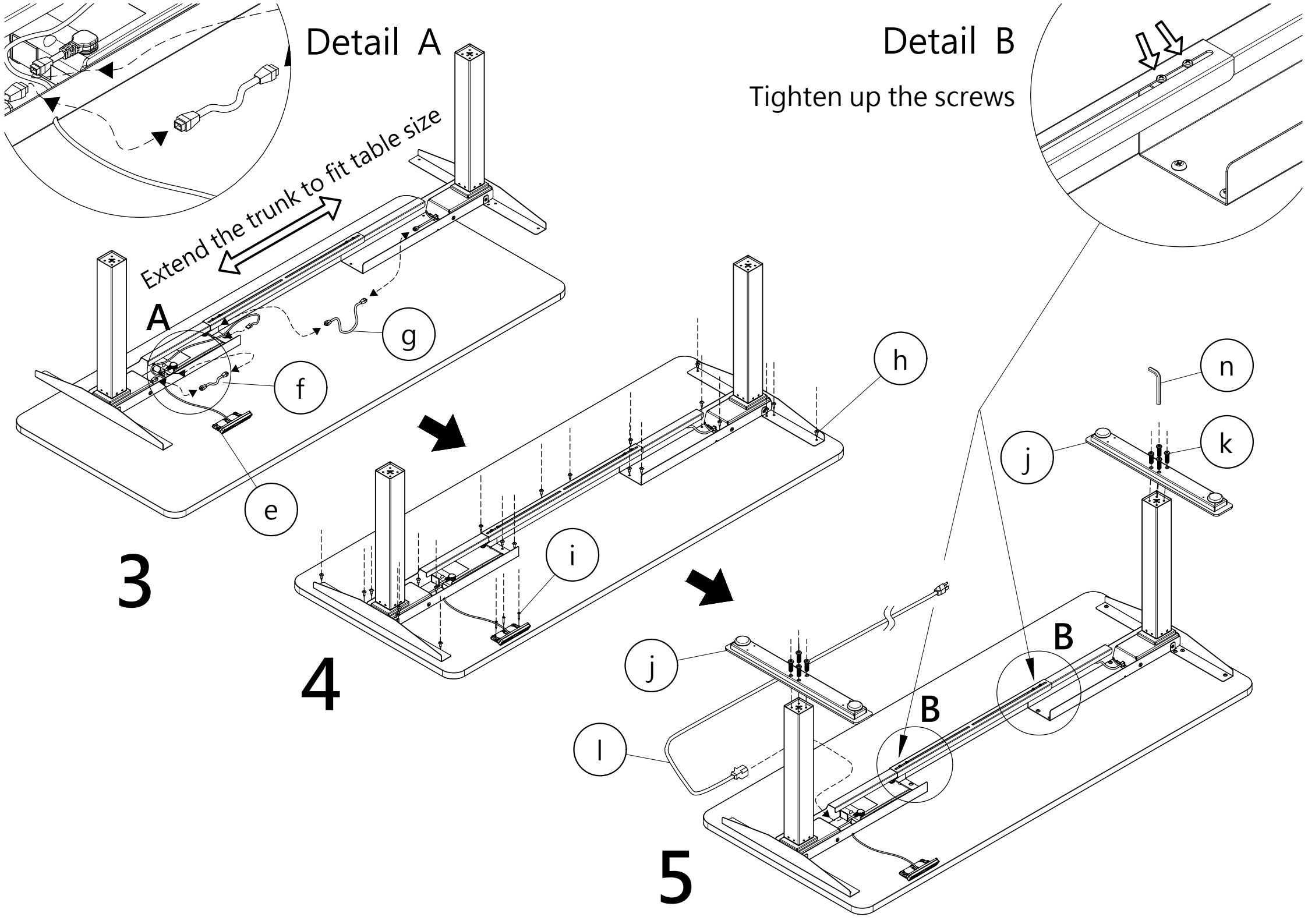
---



# Part Lists

No.	Name	Drawing	QTY
a	Center Trunk		1
b	Column		2
c	Side Support		2
d	Screw M6x10		8
e	Handset		1
f	Extension Cable 12cm		1
g	Extension Cable 114cm		1
h	Screw 5x20		24
i	Screw 3x20		3
j	Feet		2
k	Screw M10x35		8
l	Power Cable		1
m	Allen Key 4		1
n	Allen Key 5		1





※ Important ※

Reset the table before use :

1. Press and hold ^ & v for more than 3 seconds
2. Continue pressing both buttons until both columns are in the lowest position
3. The table will rebound 2-5mm
4. Release the buttons, now the table is operational

